



ADVANCE COOL TECHNOLOGY CO., LTD.

55/39 M. 9 Soi Chollatep 6. Teparak Road, BangpleeYai, Bangplee

SAMUPRAKARN 10540 TEL 02-3123990 - 1 FAX 02-3123992

Email: inquiry@advance-cool.com Website: <http://www.advance-cool.com>

SPECIFICATION : AIR COOLED SCREW TYPE CHILLER

Model 40STE~		110AS2	160AS2	210AS2	240AS2	280AS2	310AS2	340AS2
Rated Cooling Capacity	×1000 kcal/h	93.6	133.6	178.7	210.6	243.4	263.5	290.1
	kW	108.8	155.4	207.8	244.9	283.1	306.5	337.4
Comp.Power(KW)×QTY		36.5×1	50.2×1	66.5×1	74.9×1	86.7×1	94.6×1	105.2×1
Power Supply		3φ-380V-50Hz						
Protection Device		Phase Reversion Protection, Phase Lack Protection, Overload Current Protection, Discharge Air Temperature Protection, Low & Hige Pressure Protection, Low Temperature Protection, Water Protection						
Number of Refrigeration Circuit		1	1	1	1	1	1	1
Capacity Control(%)		0, 66, 100		0, 50, 75, 100				
Condenser		Ripple Water-proof Aluminum Fins around Copper Pipe						
Evaporator	Dia. of Inlet/Outlet (inch)	2-1/2"	3"	3"	3"	4"	4"	4"
	Chilled Water Flow (m3/h)	18.7	26.7	35.7	42.1	48.7	52.7	58.0
Axial Fan	Air Flow×1000 m ³ /h	56.8	80.4	113.6	115.2	115.2	160.8	160.8
	Power(KW)×QTY	1.2×4	2.0×4	1.2×8	1.2×8	1.2×8	2.0×8	2.0×8
Refrigerant	Type	R22						
	Charge (KG)	30	42	56	68	78	84	93
Total Weight (KG)		1160	1730	2590	2670	2750	2930	3160
Running Weight (KG)		1270	1920	2810	2900	3020	3240	3450

Model 40STE~		380AD2	420AD2	480AD2	520AD2	560AD2	620AD2	680AD2
Rated Cooling Capacity	×1000 kcal/h	325.7	357.4	421.2	445.0	486.8	527.1	580.2
	KW	378.8	415.6	489.8	517.5	566.2	613.0	674.8
Comp.Power(KW)×QTY		61.1×2	66.5×2	74.9×2	78.8×2	86.7×2	94.6×2	105.2×2
Power Supply		3φ-380V-50Hz						
Protection Device		Phase Reversion Protection, Phase Lack Protection, Overload Current Protection, Discharge Air Temperature Protection, Low & Hige Pressure Protection, Low Temperature Protection, Water Protection						
Number of Refrigeration Circuit		2	2	2	2	2	2	2
Capacity Control(%)		0,25,37.5,50,62.5,75,87.5,100						
Condenser		Ripple Water-proof Aluminum Fins around Copper Pipe						
Evaporator	Dia. of Inlet/Outlet (inch)	5"	5"	3" ×2	3" ×2	4" ×2	4" ×2	4" ×2
	Chilled Water Flow (m3/h)	65.1	71.5	84.2	89.0	97.4	105.4	116.0
Axial Fan	Air Flow×1000 m ³ /h	172.8	172.8	230.4	230.4	230.4	321.6	321.6
	Power(KW)×QTY	1.2×12	1.2×12	1.2×16	1.2×16	1.2×16	2.0×16	2.0×16
Refrigerant	Type	R22						
	Charge (KG)	104	112	136	142	156	168	186
Total Weight (KG)		4430	4550	5340	5420	5500	5860	6320
Running Weight (KG)		4750	4970	5800	5950	6040	6480	6900



ADVANCE COOL TECHNOLOGY CO., LTD.

55/39 M. 9 Soi Chollatep 6. Teprarak Road, BangpleeYai, Bangplee

SAMUPRAKARN 10540 TEL 02-3123990 - 1 FAX 02-3123992

Email: inquiry@advance-cool.com Website: <http://www.advance-cool.com>

SPECIFICATION : AIR COOLED SCREW TYPE CHILLER

Model 40STE~		110AHS2	160AHS2	210AHS2	240AHS2	280AHS2	310AHS2	340AHS2
Rated Cooling Capacity	Cooling Capacity(KW)	108.8	155.4	207.8	244.9	283.1	306.5	337.4
	Comp. Input Power(KW)	36.5	50.2	66.5	74.9	86.7	94.6	105.2
Rated Heating Capacity	Heating Capacity(KW)	118.5	167.4	223.5	259.9	300.7	326.1	360.0
	Comp. Input Power(KW)	34.3	47.2	62.7	70.5	81.7	89.1	99.1
Power Supply		3φ-380V-50Hz						
Protection Device		Phase Reversion Protection, Phase Lack Protection, Overload Current Protection, Discharge Air Temperature Protection, Low & Hige Pressure Protection, Low Temperature Protection, Water Protection						
Number of Refrigeration Circuit		1	1	1	1	1	1	1
Capacity Control(%)		0, 66, 100		0, 50, 75, 100				
Air Cooled Heat Exchanger		Ripple Water-proof Aluminum Fins around Copper Pipe						
Water Cooled Heat Exchanger	Dia. of Inlet/Outlet (inch)	2-1/2"	3"	3"	3"	4"	4"	4"
	Chilled Water Flow (m ³ /h)	18.7	26.7	35.7	42.1	48.7	52.7	58.0
	Hot Water Flow (m ³ /h)	20.4	28.8	38.4	44.7	51.7	56.1	61.9
Axial Fan	Air Flow×1000 m ³ /h	56.8	80.4	113.6	115.2	115.2	160.8	160.8
	Power(KW)×QTY	1.2×4	2.0×4	1.2×8	1.2×8	1.2×8	2.0×8	2.0×8
Refrigerant	Type	R22						
	Charge (KG)	33	45	51	73	82	89	98
Total Weight (KG)		1550	1960	2940	3120	3300	3480	3660
Running Weight (KG)		1660	2140	3160	3340	3550	3730	3980
Model 40STE~		380AHD2	420AHD2	480AHD2	520AHD2	560AHD2	620AHD2	680AHD2
Rated Cooling Capacity	Cooling Capacity(KW)	378.8	415.6	489.8	517.5	566.2	613.0	674.8
	Comp. Input Power(KW)	122.2	133.0	149.8	157.6	173.4	189.2	210.4
Rated Heating Capacity	Heating Capacity(KW)	408.1	447.0	519.8	548.5	601.4	652.2	720.0
	Comp. Input Power(KW)	115.0	125.4	141.0	148.4	163.4	178.2	198.2
Power Supply		3φ-380V-50Hz						
Protection Device		Phase Reversion Protection, Phase Lack Protection, Overload Current Protection, Discharge Air Temperature Protection, Low & Hige Pressure Protection, Low Temperature Protection, Water Protection						
Number of Refrigeration Circuit		2	2	2	2	2	2	2
Capacity Control(%)		0,25,37.5,50,62.5,75,87.5,100						
Air Cooled Heat Exchanger		Ripple Water-proof Aluminum Fins around Copper Pipe						
Water Cooled Heat Exchanger	Dia. of Inlet/Outlet (inch)	5"	5"	3" ×2	3" ×2	4" ×2	4" ×2	4" ×2
	Chilled Water Flow (m ³ /h)	65.1	71.5	84.2	89.0	97.4	105.4	116.0
	Hot Water Flow (m ³ /h)	70.2	76.9	89.4	94.3	103.4	112.2	123.8
Axial Fan	Air Flow×1000 m ³ /h	172.8	172.8	230.4	230.4	230.4	321.6	321.6
	Power(KW)×QTY	1.2×12	1.2×12	1.2×16	1.2×16	1.2×16	2.0×16	2.0×16
Refrigerant	Type	R22						
	Charge (KG)	114	122	146	150	164	178	196
Total Weight (KG)		5620	5800	6240	6430	6600	6960	7320
Running Weight (KG)		6040	6280	6680	6850	7100	7460	7960



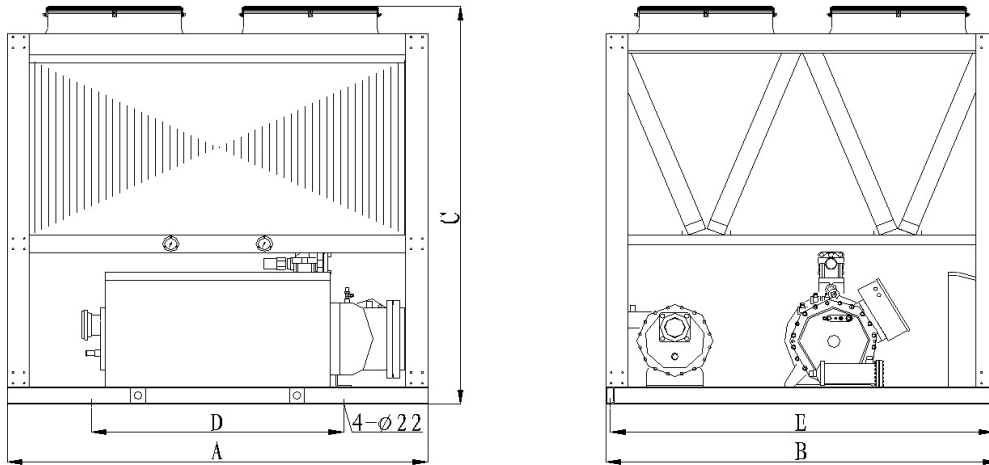
ADVANCE COOL TECHNOLOGY CO., LTD.

55/39 M. 9 Soi Chollatep 6. Teparak Road, BangpleeYai, Bangplee

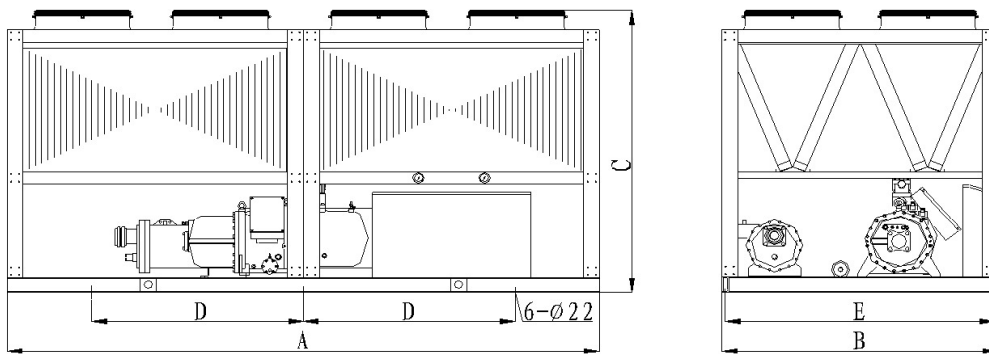
SAMUPRAKARN 10540 TEL 02-3123990 - 1 FAX 02-3123992

Email: inquiry@advance-cool.com Website: <http://www.advance-cool.com>

SPECIFICATION : AIR COOLED SCREW TYPE CHILLER



MODEL	A	B	C	D	E
40STE110A (H) S2	2250	2100	2300	1800	2050
40STE160A (H) S2	2250	2100	2300	1800	2050



MODEL	A	B	C	D	E
40STE210A (H) S2	4500	2100	2300	1800	2050
40STE240A (H) S2	4500	2100	2300	1800	2050
40STE280A (H) S2	4500	2100	2300	1800	2050
40STE310A (H) S2	4500	2100	2300	1800	2050
40STE340A (H) S2	4500	2100	2300	1800	2050



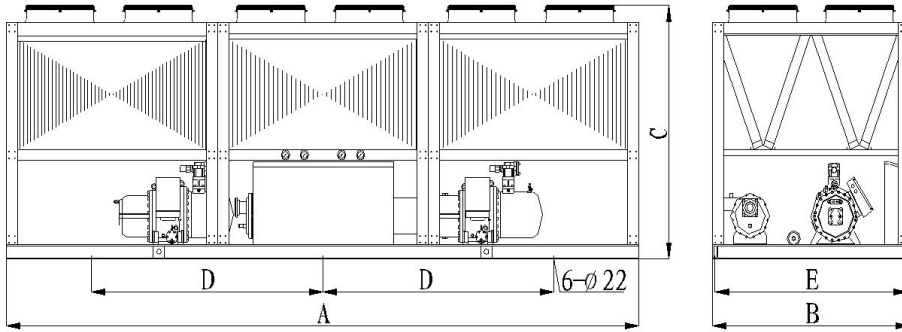
ADVANCE COOL TECHNOLOGY CO., LTD.

55/39 M. 9 Soi Chollatep 6. Teparak Road, BangpleeYai, Bangplee

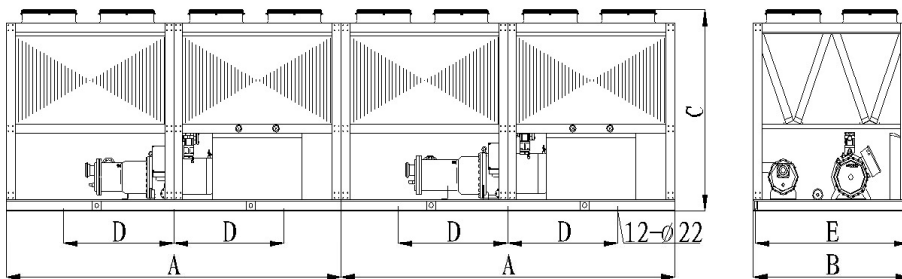
SAMUPRAKARN 10540 TEL 02-3123990 - 1 FAX 02-3123992

Email: inquiry@advance-cool.com Website: <http://www.advance-cool.com>

SPECIFICATION : AIR COOLED SCREW TYPE CHILLER



MODEL	A	B	C	D	E
40STE380A (H) D2	6750	2100	2300	2750	2050
40STE420A (H) D2	6750	2100	2300	2750	2050



MODEL	A	B	C	D	E
40STE480A (H) D2	4500	2100	2300	1800	2050
40STE520A (H) D2	4500	2100	2300	1800	2050
40STE560A (H) D2	4500	2100	2300	1800	2050
40STE620A (H) D2	4500	2100	2300	1800	2050
40STE680A (H) D2	4500	2100	2300	1800	2050

REMARK:

1. Rated Cooling Capacity based on:
 - a. Chilled Water Supply Temp.: 7C
 - b. Chilled Water Return Temp.: 12C
 - c. Ambient Temp.: 35C
2. Chilled Water Temp. range: 2 – 20C
3. Condenser Water Temp. Range: 15C – 40C